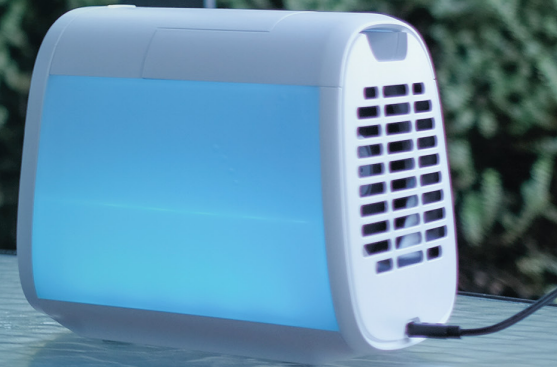




Personal Air Cooler evaCHILL

Embodiment of a designer's idea and usability, all in one device. That is what evaCHILL represents.



Chills the air

Uses natural evaporative cooling effect to drop the air temperature



Humidifies

Humidifies the air creating a better working environment



Purifies

Filters out dust particles to increase the air quality for better breathing



Award winning design

Stylish and minimalist design to match your interior



Ultraportable & USB powered

Compact and light-weight. Works on USB power supply



Eco-friendly

No toxic Freon-like liquids, consumes only 7.5W of electricity. Uses fully biodegradable evaporative pads

EvaBreeze® – innovative patented material



Nano-thin porous structure

Huge surface for water evaporation and powerful cooling effect



Safe

100% inorganic, prevents bacteria and mold spreading

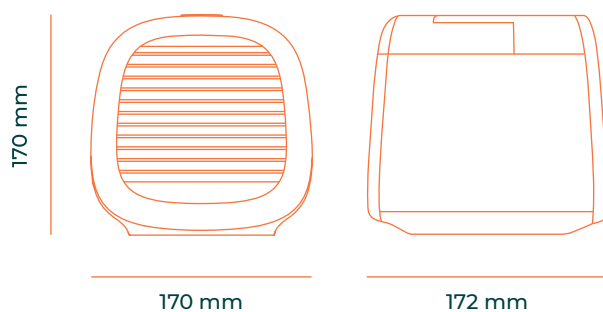


Biodegradable

Natural basalt fibers made from volcanic lava



Technical characteristics



Coverage area (in the direction of the air flow)
Power Consumption
Cooling Power
Volumetric Flow Rate
Noise Level
Size

Net Weight
Water Tank Capacity
Water Refill Cycle
Evaporative cartridge life expectancy
Color
Energy Efficiency Ratio (EER)
Power Supply
Supplied Accessories

1-2 m² / 11-22 ft²
7.5W
100W – 350W / 340 – 1190 BTU/hr
49.1 cfm
Up to 50 dB
172 x 170 x 170 mm / 6.77 x 6.69 x 6.69 inch
750 g
800 ml
every 3-8 hours
3-6 months
○ ●
21-37
USB Type-C (5V, 2A)
Cartridge, power cord, funnel