

M60EN158

NOVA U,O,A,H

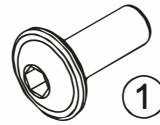
Requiring tools:

S5

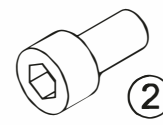


DIN911

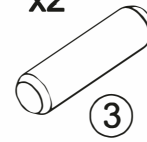
x16



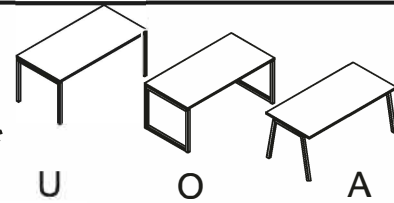
x6



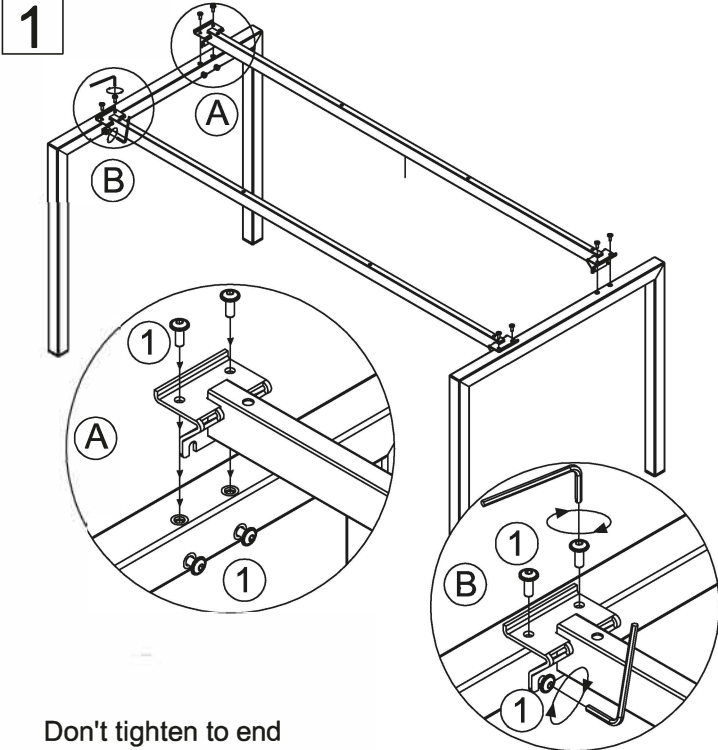
x2



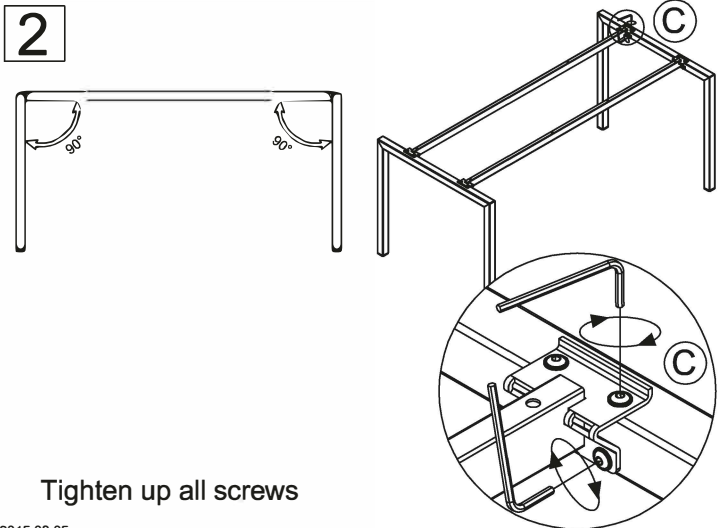
DNA* BNA*
CNN* CNM*



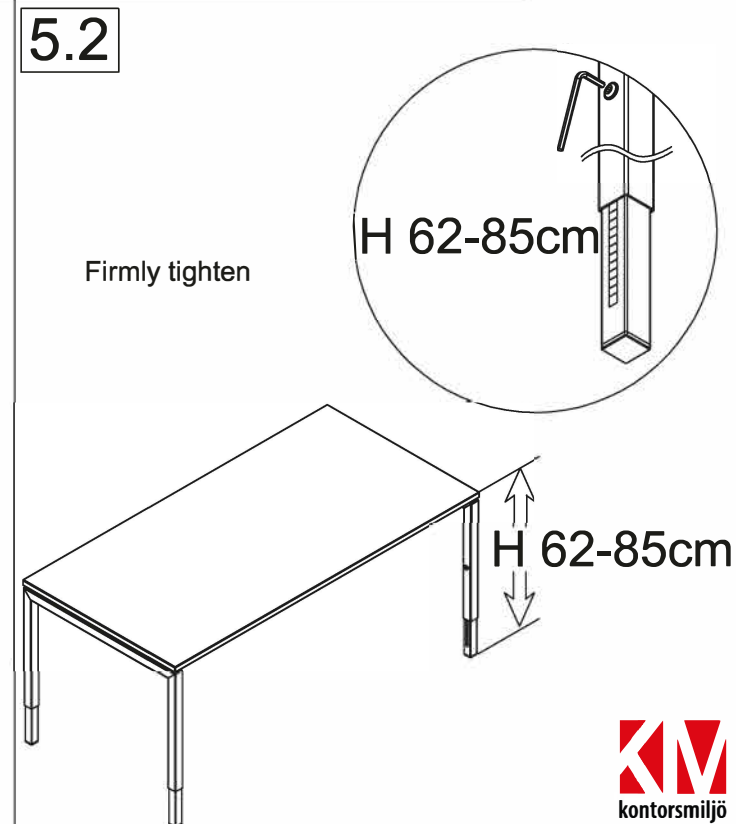
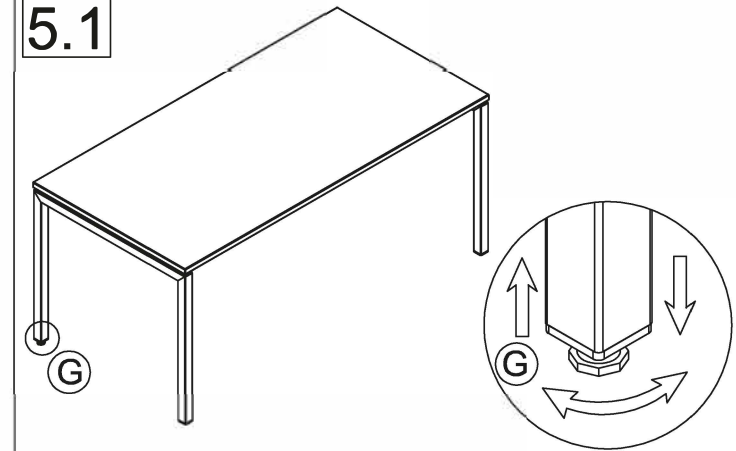
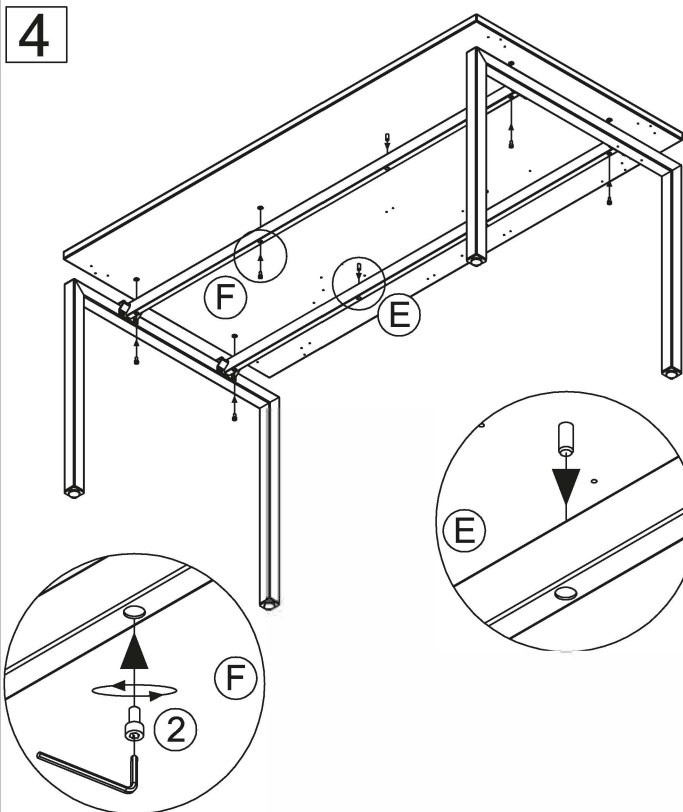
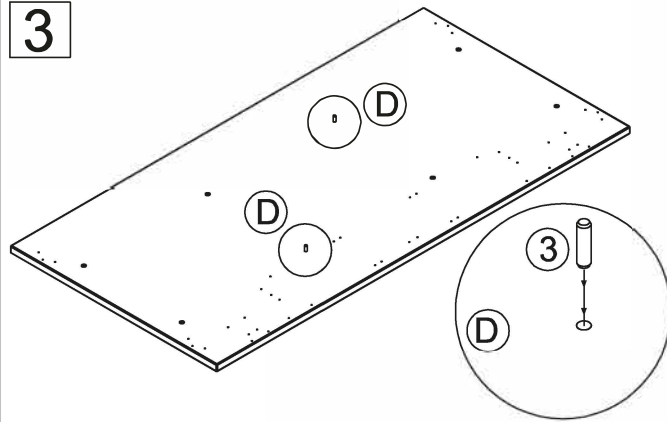
Assembling scheme



Don't tighten to end



Tighten up all screws



Firmly tighten

H 62-85cm

H 62-85cm