
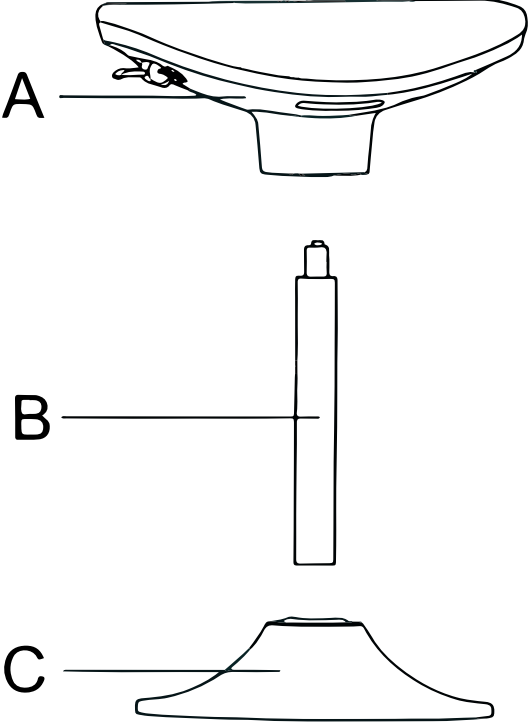
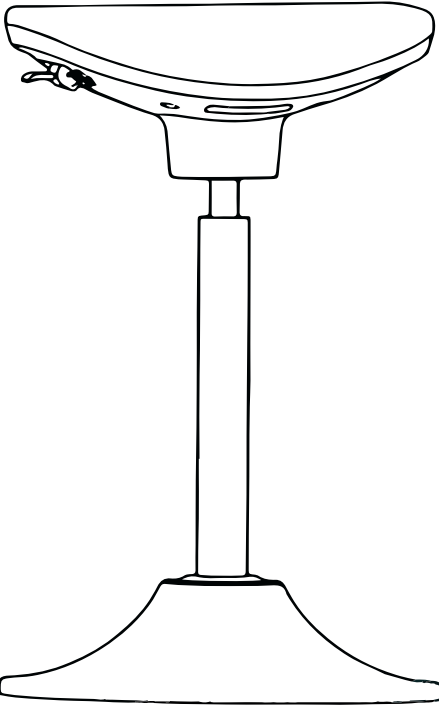




PART		Qty.	1	2
A		1		
B		1		
C		1		

