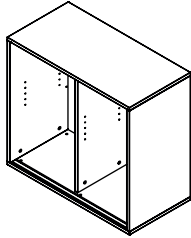
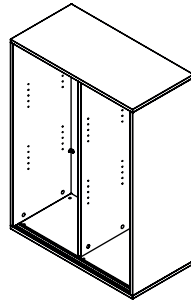


<b>M60EC104</b>									
EN	Assembling scheme		$\frac{15}{18}$ M42B0001	x12	$\frac{5}{11} \times 34$ M42B0022	x12	$\varnothing 8 \times 30$ M42H0001	x12	
<p>a - x1</p>		<p>b - x1</p> <p>c - x2</p> <p>d - x1</p> <p>e - x1</p>							
				$\varnothing 4/18$ M45A3010	x12	$\varnothing 10/13$ M45A2031	x6	$4.5 \times 45$ M42A0110	*
				$4.0 \times 15$ M42A0056	*	$6.3 \times 13$ M42C0029	*	$20 \times 17$ M42J0027	*

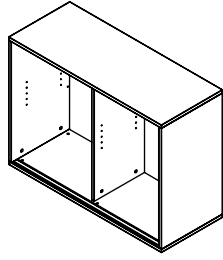
C2S080



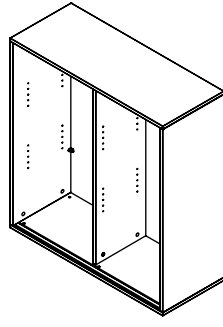
C3S080



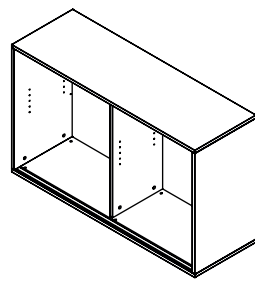
C2S100



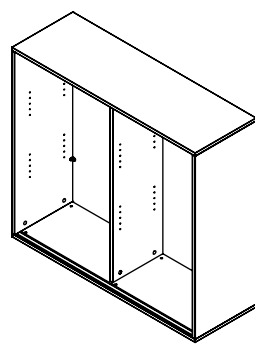
C3S100



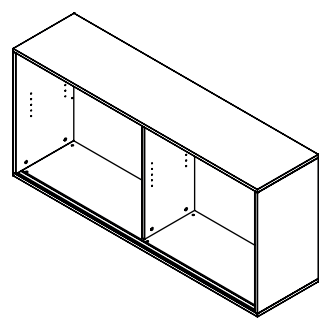
C2S120



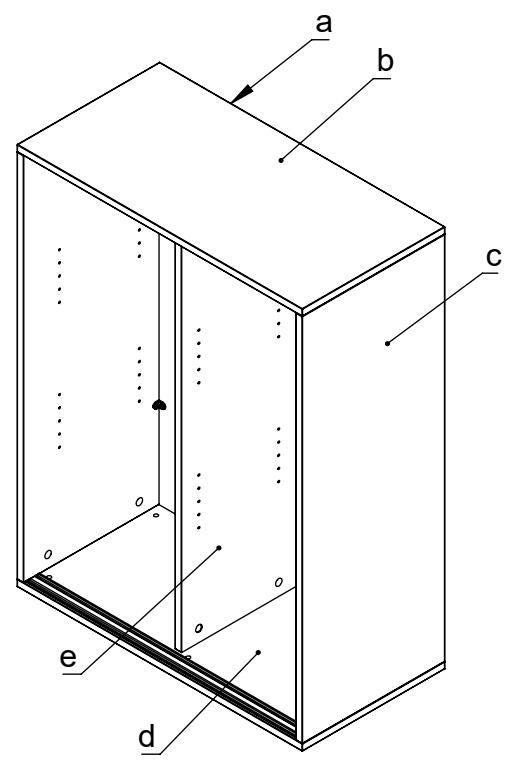
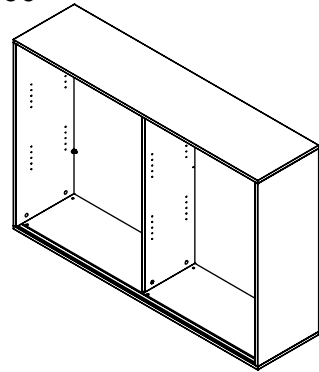
C3S120



C2S160

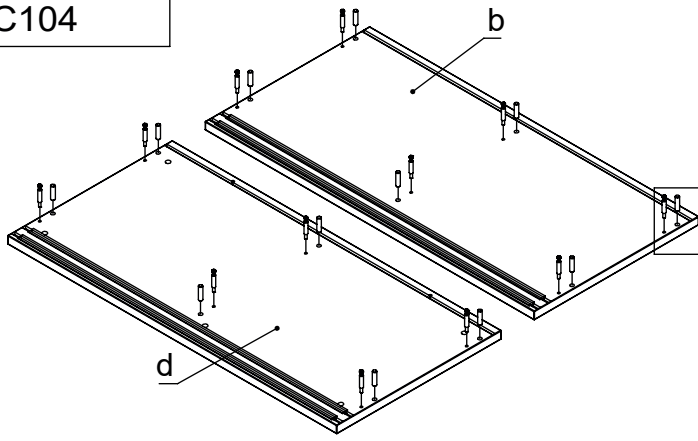


C3S160

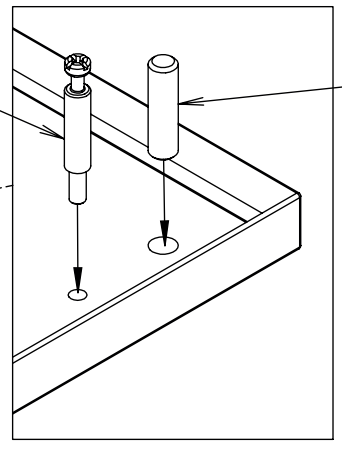


EN	*Configuration depends on order option

1

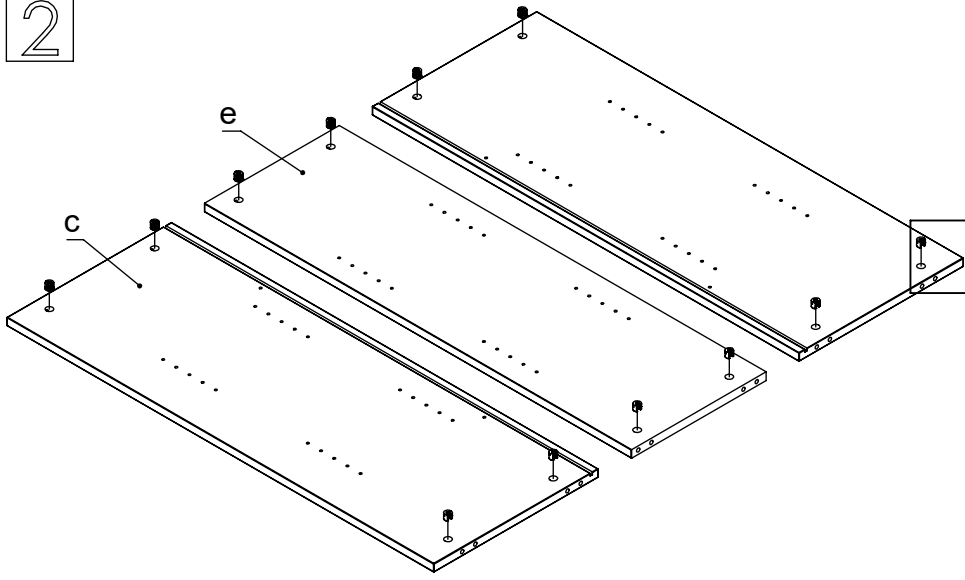


2

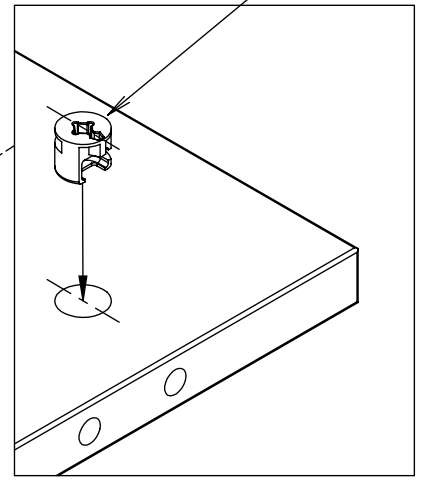


3

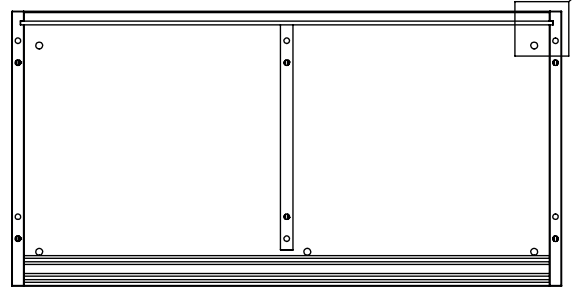
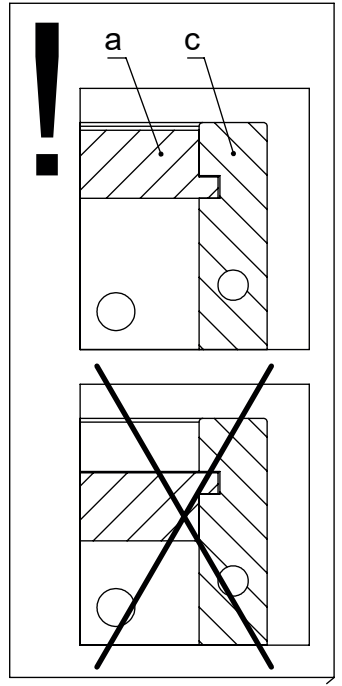
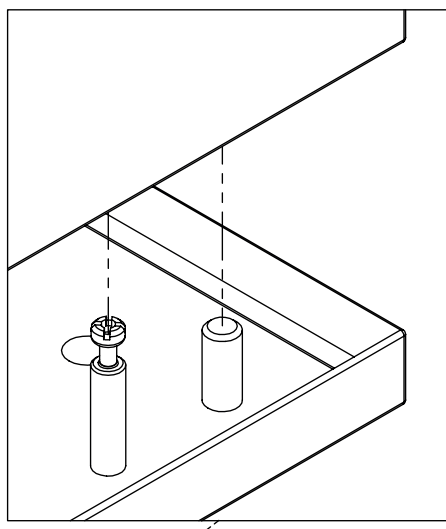
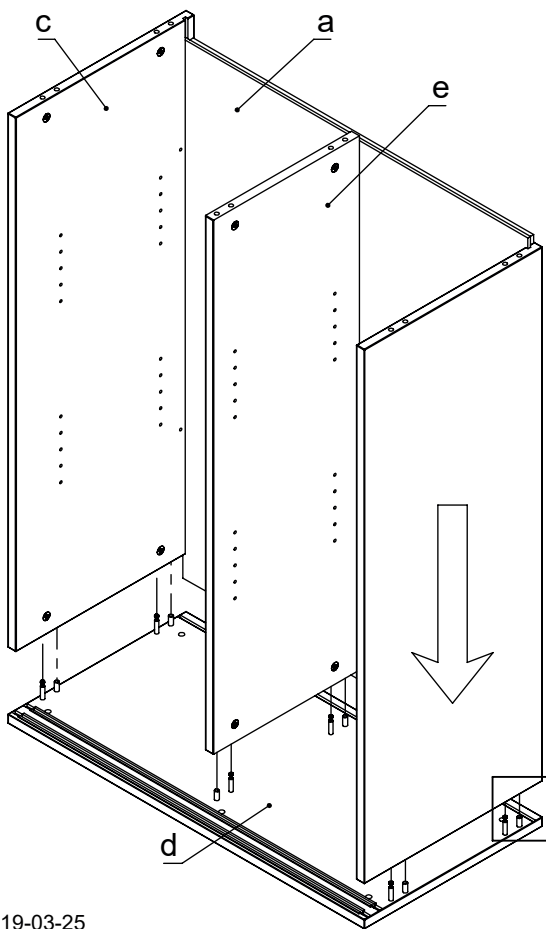
2



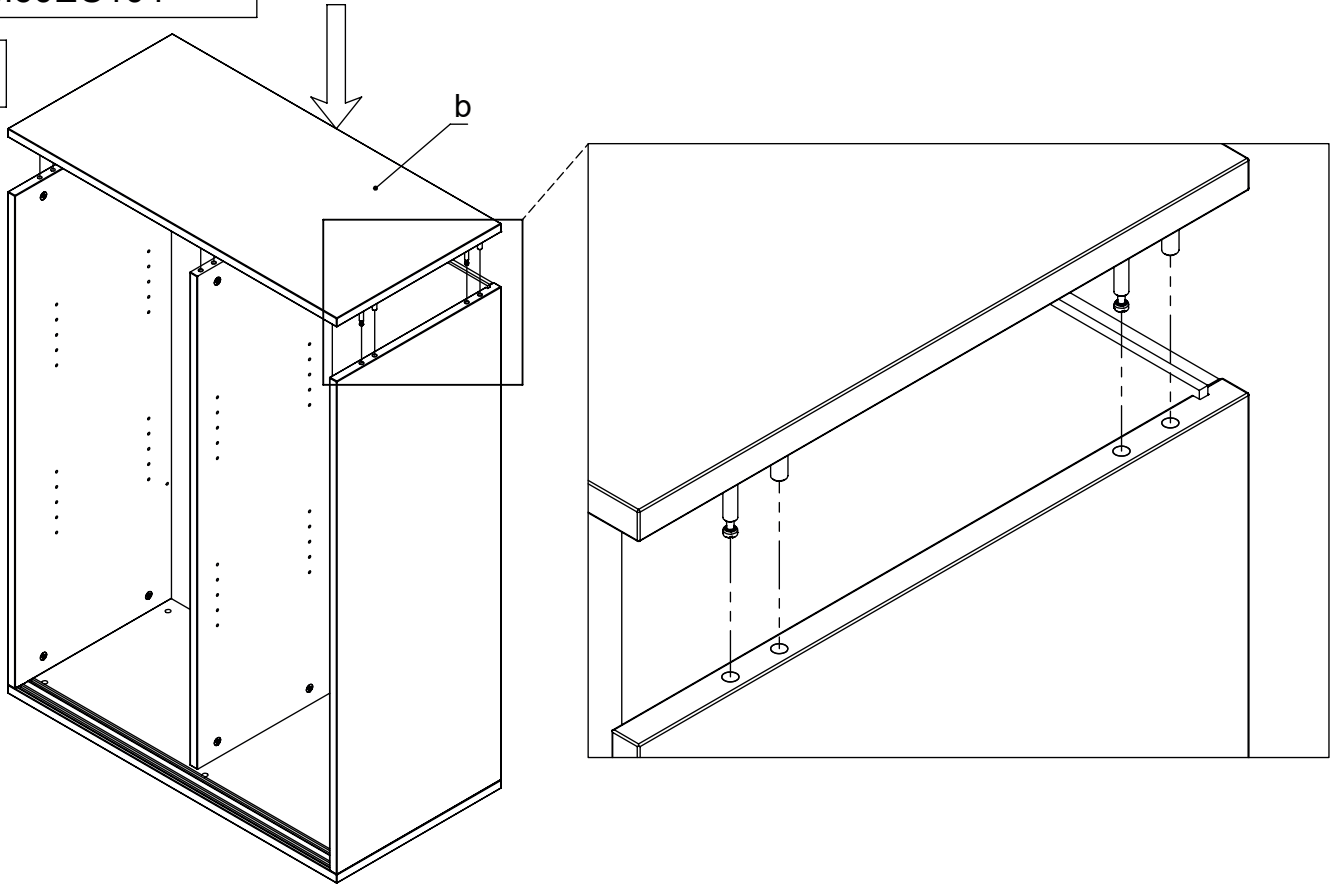
1



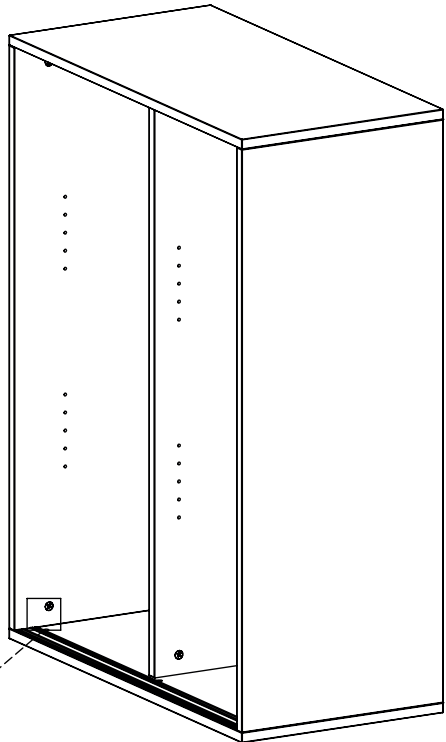
3



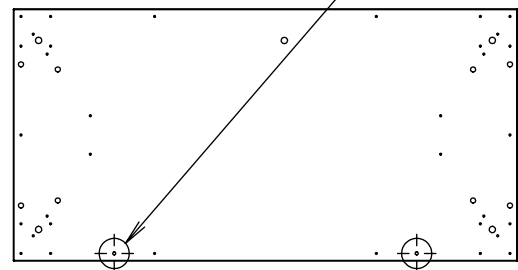
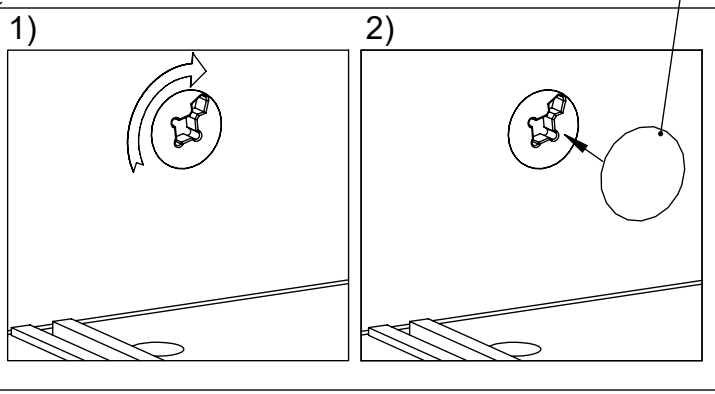
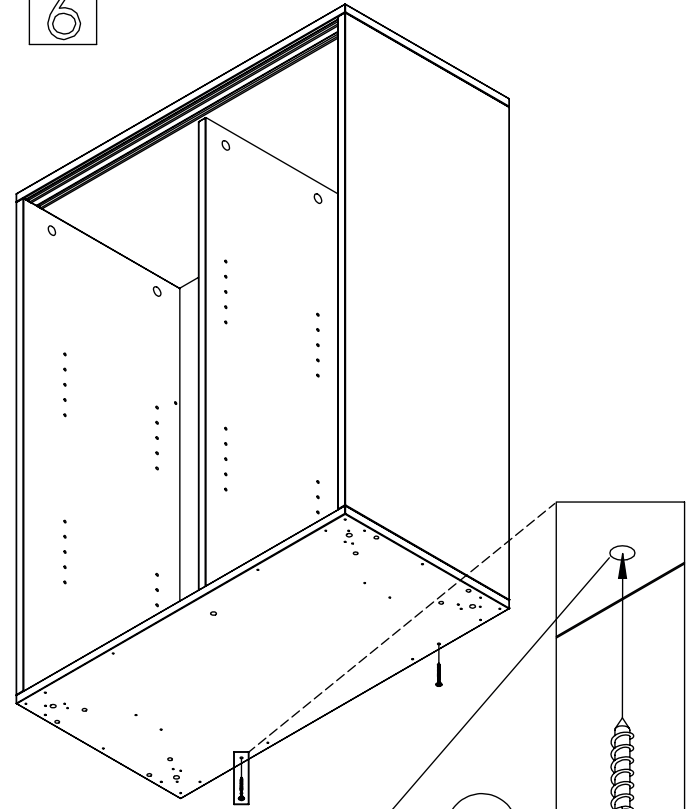
4



5



6



7

