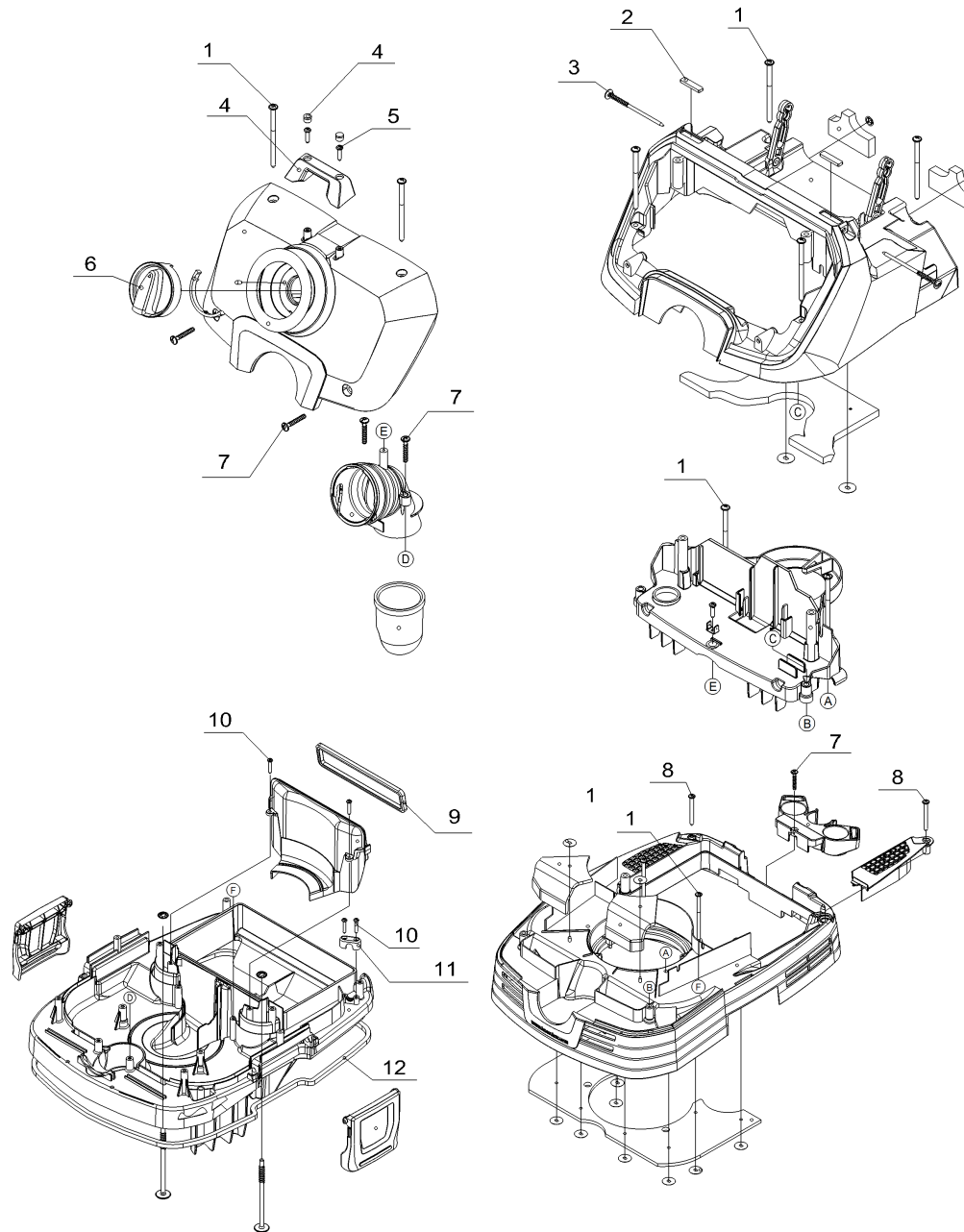


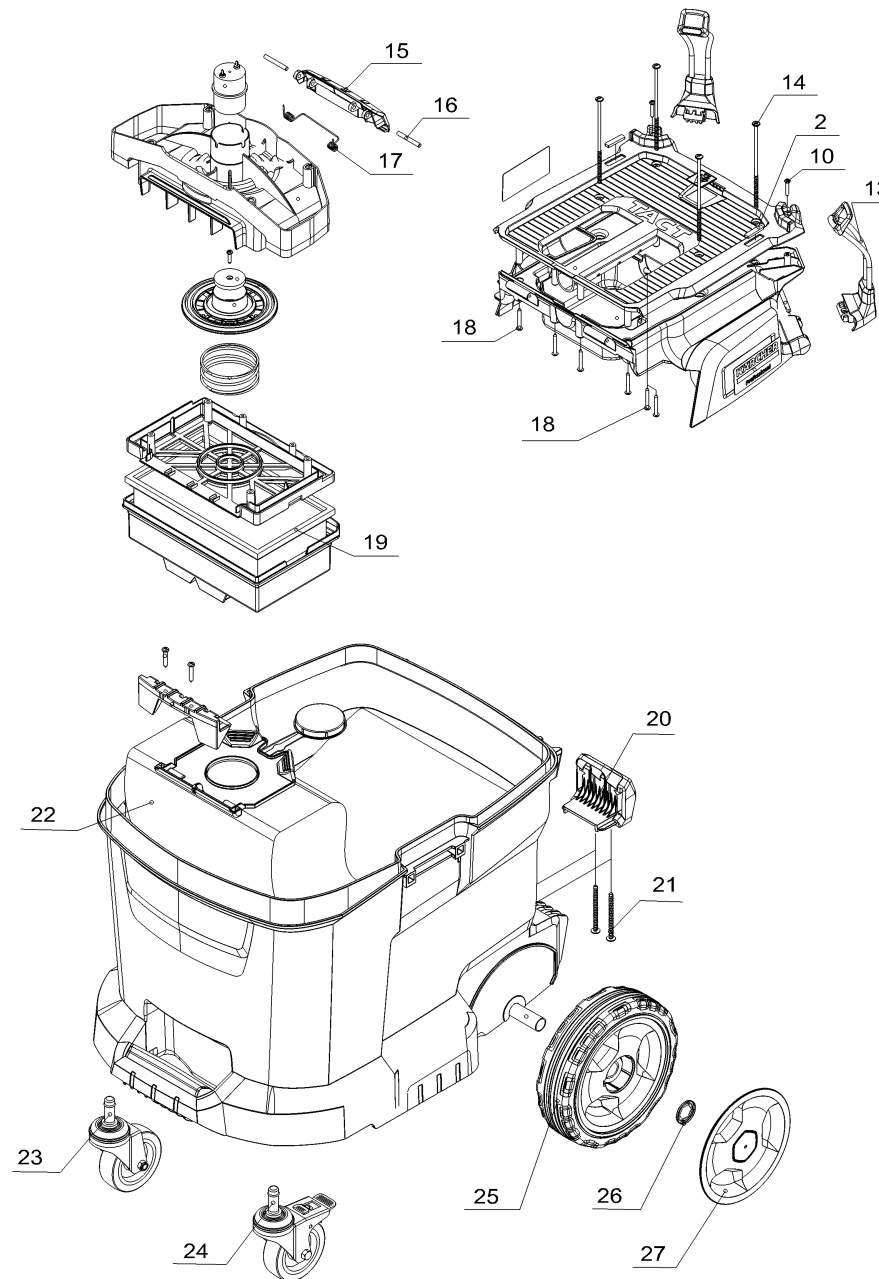
5 Short spare parts list NT 30/1 Tact L *E (1.148-201.3)

Professional \ Vacuum cleaner \ Wet-dry vacuum cleaner \ NT 30/1 Tact L *EU \ Short spare parts list NT 30/1 Tact L *E



5 Short spare parts list NT 30/1 Tact L *E (1.148-201.3)

Professional \ Vacuum cleaner \ Wet-dry vacuum cleaner \ NT 30/1 Tact L *EU \ Short spare parts list NT 30/1 Tact L *E



5 Short spare parts list NT 30/1 Tact L *E (1.148-201.3)

Professional \ Vacuum cleaner \ Wet-/dry vacuum cleaner \ NT 30/1 Tact L *EU \ Short spare parts list NT 30/1 Tact L *E



POS	Article no.	Description	Quantity	Unit
1	7.303-171.0	Screw 5x80 -10.9-R2R (K-In6Rd)	10.000	ST
2	4.070-360.0	Antislip rubber set	1.000	ST
3	5.107-004.0	Guide screw	2.000	ST
4	4.070-345.0	Fixing case	1.000	ST
5	7.303-129.0	Screw 4x16 -10.9-R2R (K-In6Rd)	2.000	ST
6	5.744-001.0	Handle	1.000	ST
7	7.303-086.0	Screw 5x30 -10.9-R2R (K-In6Rd)	7.000	ST
8	7.303-111.0	Screw 5x50 -10.9-R2R (K-In6Rd)	8.000	ST
9	5.363-187.0	Seal supply air	1.000	ST
10	7.303-096.0	Screw 4x22 -ST-10.9-R2R (IN6RD)	8.000	ST
11	5.034-505.0	Retaining bracket cable	1.000	ST
12	6.273-018.0	Seal string housing base plate	1.000	ST
13	4.071-086.0	Hose hook set	1.000	ST
14	7.303-323.0	Screw 5x130 -10.9-R2R (In6Rd)	4.000	ST
15	5.322-157.0	Filter cover closure	1.000	ST
16	5.317-231.0	Bolt hook	1.000	ST
17	5.333-221.0	Spring	1.000	ST
18	7.303-285.0	Screw 4x30 -10.9-R2R (K-In6Rd)	8.000	ST
19	6.904-360.0	Flat-pleated filter only for replacement	1.000	ST
20	5.044-317.0	Holder floor nozzle	1.000	ST
21	7.303-234.0	Screw 5x60 -10.9-A2K (K-In6Rd)	2.000	ST
22	2.889-154.0	Filter bags-fleece 5 piece 30 Liter	1.000	ST
23	6.435-894.0	Castor Ø75	1.000	ST
24	6.435-895.0	Castor with brake Ø75	1.000	ST
25	5.515-361.0	Wheel D180	2.000	ST
26	6.343-168.0	Lock washer	2.000	ST
27	5.515-386.0	Wheel cap large RAL 7012	2.000	ST